


■ Features

- ✚ Four 12VDC individually fused outputs
- ✚ Circuit Short protection
- ✚ High-temperature protection
- ✚ AC power LED indicator
- ✚ Individual LED's for each output
- ✚ Power ON/OFF switch
- ✚ Unit maintains camera synchronization
- ✚ Easy installation saves time and eliminates costly labor
- ✚ Spare fuses included
- ✚ 2 years warranty

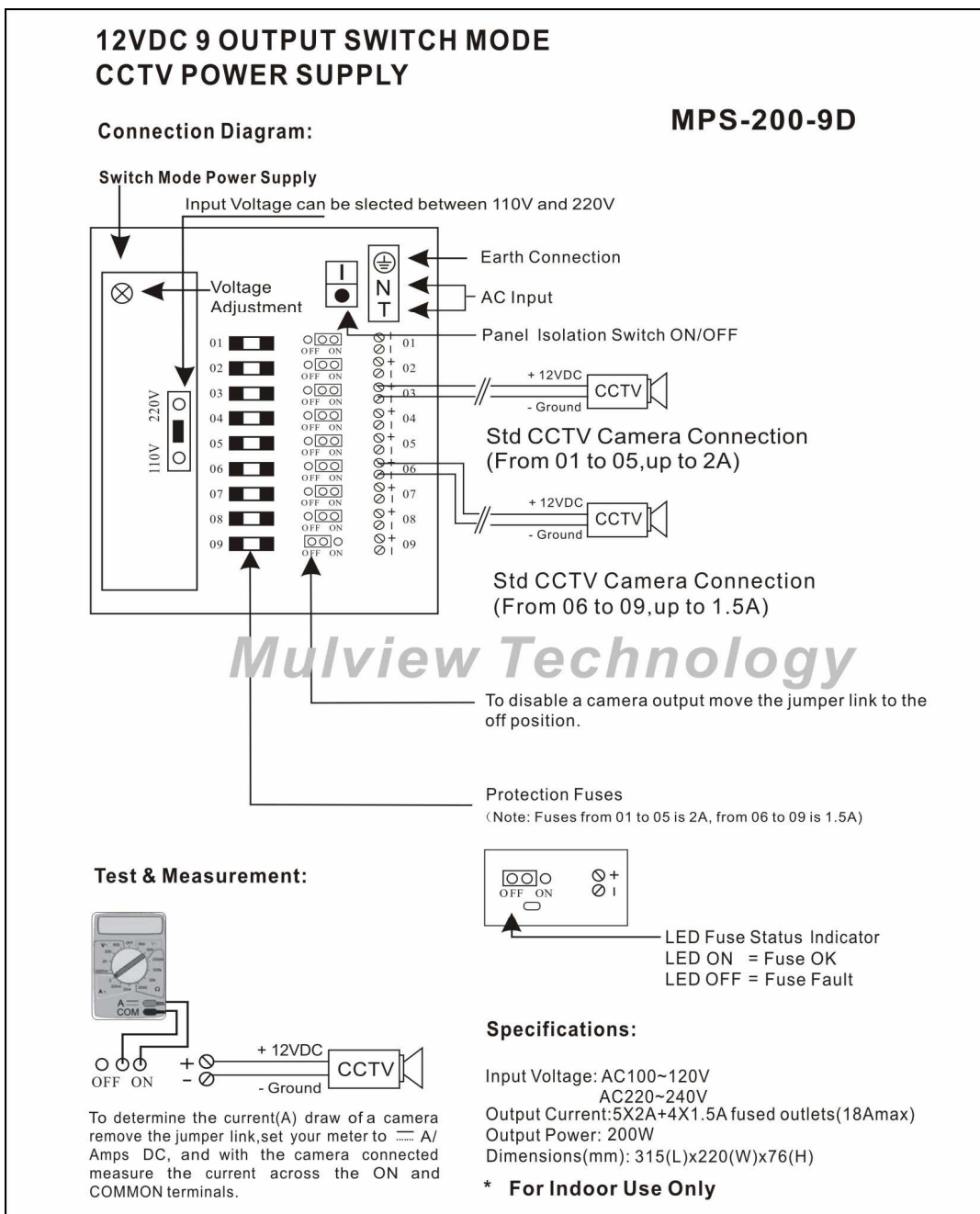
■ Specification

Input Voltage	AC90-264V
Input Voltage Frequency	50/60Hz
Output Specification	
Output Voltage	12VDC+10%
Total Output Current	16.5 A(4CH→1.5A,5CH→2A,meet for different security camera)
Total Outputs	201W
Fuse Type	Glass Fuse
Fuse Rating	1.5 Amps / 250VAC, 2 Amps / 250VAC
Protection	
General Protection	each output has individual fuse and LED indicator, when problem occurs, only affect the individual output, other outputs still working
Circuit Short Protection	when short condition occurs, individual fuse will open the circuit, when condition removed, replacing another new fuse will back to close.
Over-load protection	105-135%hiccup mode, auto-recovery
Over-voltage protection	115-135%,Shut down o/p voltage, re-power on to recover
General Specifications	
Working temperature and humidity	-10℃~+60℃, 20%~80%RH
Store temperature and humidity	-20℃~+85℃,10%~90%RH
Application	
CCTV	Camera, PTZ, IR Illuminators, Video Process Equipment, etc.

■ Shape and installation dimension



■ Manual



Multiple View, More attention!

Mulview Technology Limited

<http://www.mtlcctv.com>

TEL:0086-755-88849659 FAX:0086-755-83722362 E-mail:mulviewcctv@gmail.com,sales@mtlcctv.com